

**Harvatek 5.0mm Round LED LAMP
HV-RGB3309M-R2**

Official Product	HV-RGB3309M-R2	Customer Part No.	Data Sheet No.
	*****	*****	CDAE-010-715
Specifications are subject to change without notice. Data and drawings herein are copyrighted.	Oct.20 2020	Version of 1.1	Page 1/10

DISCLAIMER

HARVATEK reserves the right to make changes without further notice to any products herein to improve reliability, function or design. HARVATEK does not assume any liability arising out of the application or use of any product or circuit described herein; neither does it convey any license under its patent rights, nor the rights of others.

LIFE SUPPORT POLICY

HARVATEK's products are not authorized for use as critical components in life support devices or systems without the express written approval of the President of HARVATEK or HARVATEK INTERNATIONAL. As used herein:

1. Life support devices or systems are devices or systems which, (a) are intended for surgical implant into the body, or (b) support or sustain life, and (c) whose failure to perform when properly used in accordance with instructions for use provided in the labeling, can be reasonably expected to result in a significant injury of the user.
2. A critical component in any component of a life support device or system whose failure to perform can be reasonably expected to cause the failure of the life support device or system, or to affect its safety or effectiveness.

Official Product	HV-RGB3309M-R2	Customer Part No.		Data Sheet No.
	*****	*****		CDAE-010-715
Specifications are subject to change without notice. Data and drawings herein are copyrighted.		Oct.20 2020	Version of 1.1	Page 2/10

Compliance and Certification

ISO9002, QS9000 and ISO14001 Certified
RoHS Compliant



Orderable Information

HV - RGB 3309 M - R2



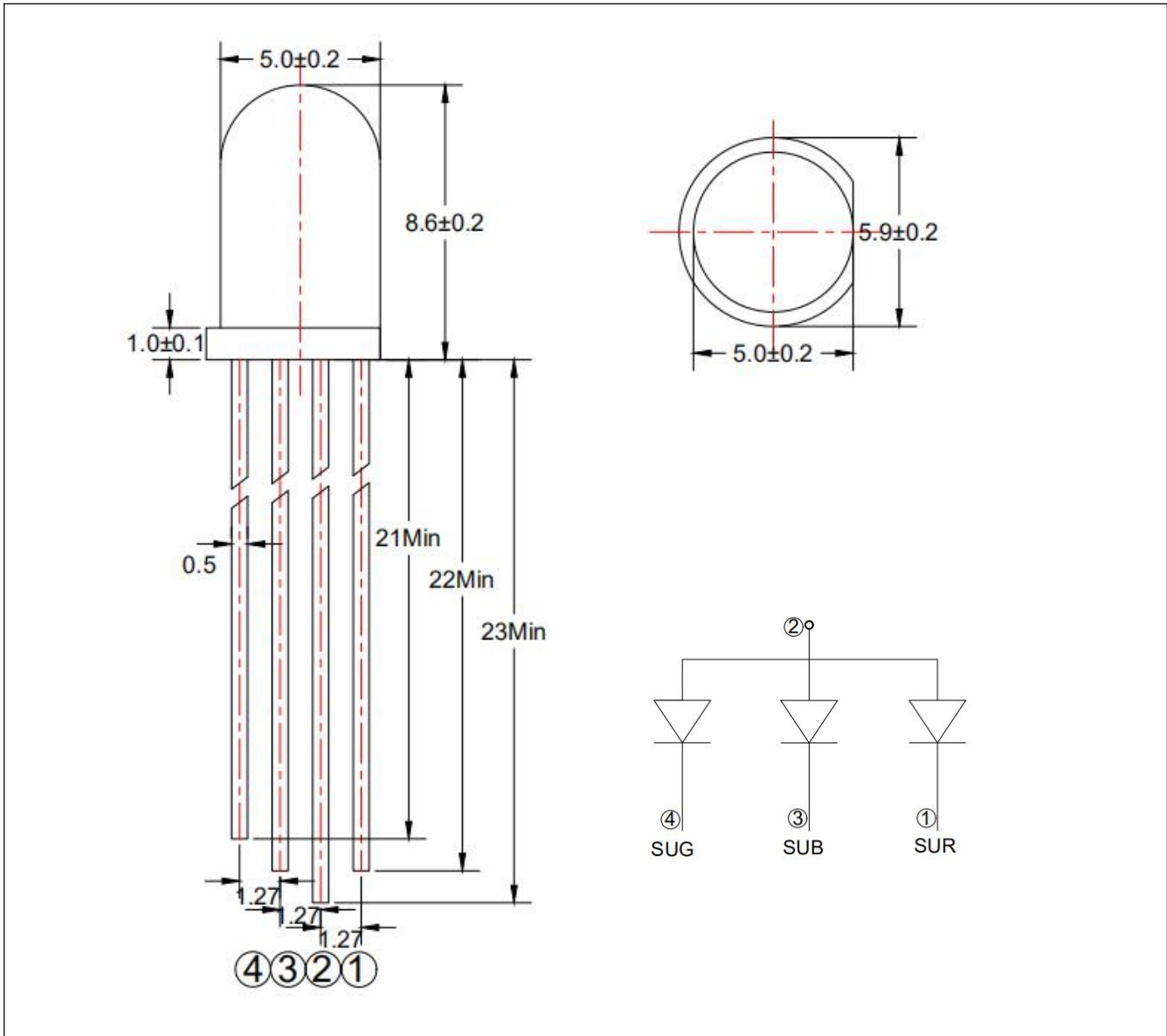
Series Name	Color Code	Remark
HV : HARVATEK	RGB3309: 5.0mm Round LED LAMP,8.6mm Lens. AlGaInP 622nm Red chip InGaN 522nm Green chip InGaN 467nm Blue chip M : White Diffused R2: HARVATEK Part No.	

Features:

- Stable Color
- Popular 5.0mm through hole package, 8.6mm lens height.
- White Diffused lens.

Official Product	HV-RGB3309M-R2	Customer Part No.	Data Sheet No.
	*****	*****	CDAE-010-715
Specifications are subject to change without notice. Data and drawings herein are copyrighted.		Oct.20 2020	Version of 1.1
			Page 3/10

Package Dimensions:



Notes:

1. All dimensions are millimeters.
2. Tolerance is +/-0.25mm unless otherwise noted.
3. Specifications are subject to change without notice.

Official Product	HV-RGB3309M-R2	Customer Part No.	Data Sheet No.
	*****	*****	CDAE-010-715
Specifications are subject to change without notice. Data and drawings herein are copyrighted.		Oct.20 2020	Version of 1.1
			Page 4/10

Absolute Maximum Ratings at Ta=25°C

Parameter	Symbol		Rating	Unit
Forward Current	I _F	R	30	mA
		G	30	
		B	30	
Operating Temperature	T _{opr}		-40to+85	°C
Storage Temperature	T _{stg}		-40to+100	°C
Soldering Temperature*1	T _{sol}		260±5	°C
Reverse Voltage	V _R	R	5	V
		G	5	
		B	5	
Power Dissipation	P _d	R	80	mW
		G	120	
		B	120	
Peak Forward Current*2	I _{FP}	R	60	mA
		G	100	
		B	100	

*1:Soldering time ≦ 5 seconds. *2Pulse Width ≦ 100 μ s and Duty ≦ 1%.

Official Product	HV-RGB3309M-R2	Customer Part No.		Data Sheet No.
	*****	*****		CDAE-010-715
Specifications are subject to change without notice. Data and drawings herein are copyrighted.		Oct.20 2020	Version of 1.1	Page 5/10

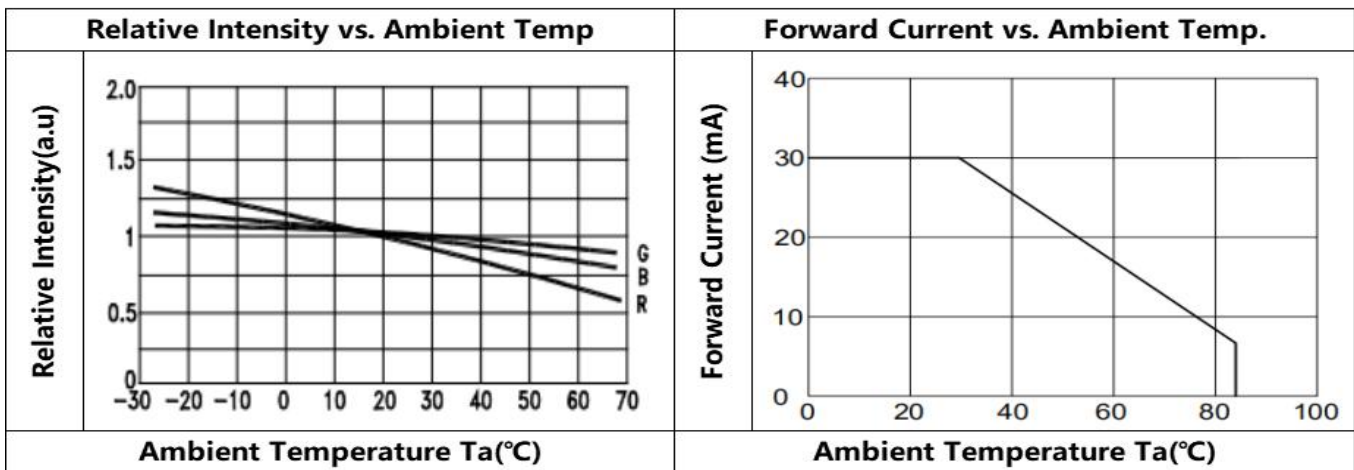
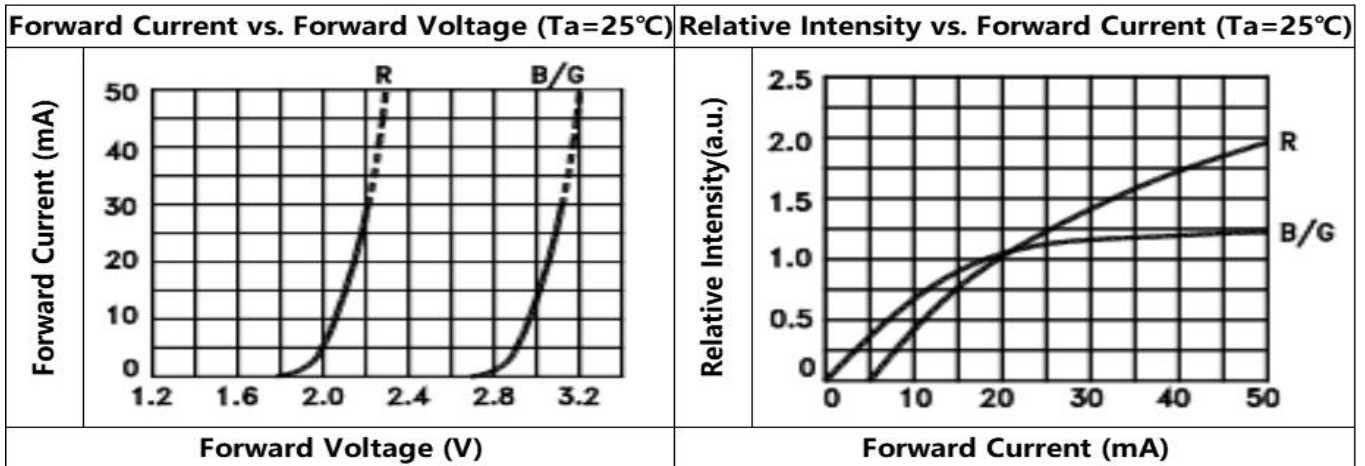
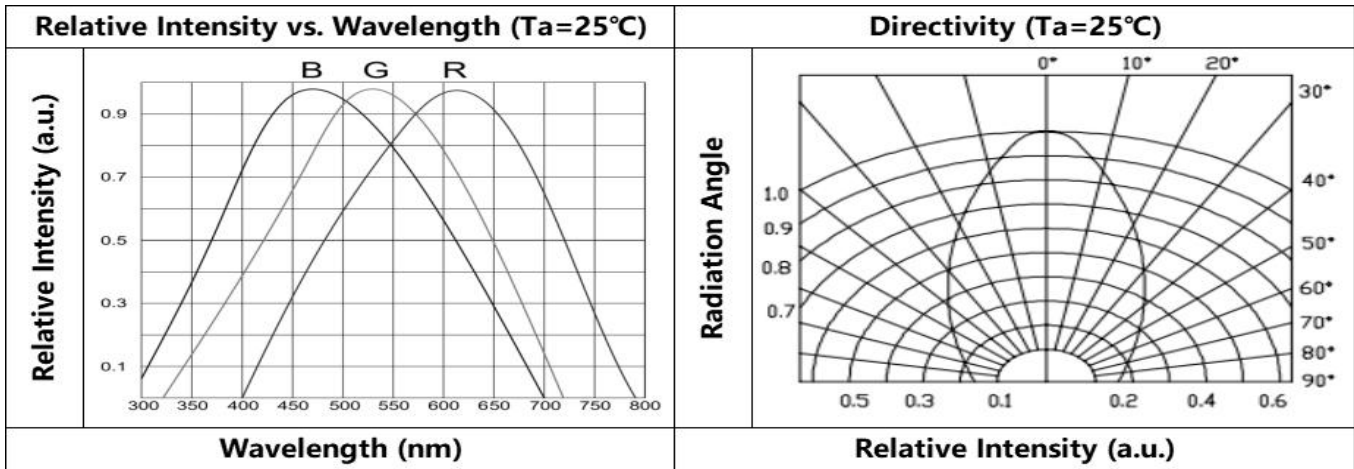
Electrical and Optical Characteristic

Parameter	Symbol	Condition	Min.	Typ.	Max.	Unit	
Luminous Intensity	I _v	R	I _F =20mA	200	800	---	mcd
		G	I _F =20mA	300	1000	---	
		B	I _F =20mA	150	600	---	
Viewing Angle	2θ ½	R	I _F =20mA	---	60	---	Deg
		G	I _F =20mA	---	60	---	
		B	I _F =20mA	---	60	---	
Forward Voltage	V _F	R	I _F =20mA	---	2.0	2.6	V
		G	I _F =20mA	---	3.0	3.4	
		B	I _F =20mA	---	3.0	3.4	
Peak Emission Wavelength	λ _p	R	I _F =20mA	620	625	---	nm
		G	I _F =20mA	520	525	---	
		B	I _F =20mA	465	470	---	
Dominant Wavelength	λ _d	R	I _F =20mA	617	622	---	nm
		G	I _F =20mA	517	522	---	
		B	I _F =20mA	462	467	---	
Spectral Line Half-Width	Δλ	R	I _F =20mA	---	20	---	nm
		G	I _F =20mA	---	35	---	
		B	I _F =20mA	---	30	---	
Reverse Current	I _R	R	V _R = 5 V	---	---	10	μA
		G	V _R = 5 V	---	---	10	
		B	V _R = 5 V	---	---	10	

Notes:θ1/2 is the angle from optical centerline where the luminous intensity is 1/2 the optical centerline value.

Official Product	HV-RGB3309M-R2	Customer Part No.	Data Sheet No.
	*****	*****	CDAE-010-715
Specifications are subject to change without notice. Data and drawings herein are copyrighted.		Oct.20 2020	Version of 1.1
			Page 6/10

Typical Electro-Optical Characteristics Curves



Official Product	HV-RGB3309M-R2 *****	Customer Part No.	Data Sheet No. CDAE-010-715
Specifications are subject to change without notice. Data and drawings herein are copyrighted.		Oct.20 2020	Version of 1.1
		Page 7/10	

Reliability test items and conditions:

The reliability of products shall be satisfied with items listed below.

Confidence level: 97%

LTPD:3%

No	Item	Test Conditions	Test Hours/Cycle	Sample Size	Failure Judgment Criteria	Ac/Er
1	Solder Heat	TEMP:260°C±5 °C	10 SEC	76 PCS	$I_v \cong I_{vt} * 0.5$ or $V_f \cong U$ or $V_f \cong L$	0/1
2	Temperature Cycle	H:+100°C 15min ∫ 5min L:-40°C 15min	300 CYCLES	76 PCS		0/1
3	Thermal Shock	H:+100°C 5min ∫ 10sec L:-10°C 5min	300 CYCLES	76 PCS		0/1
4	High Temperature Storage	TEMP:100°C	1000 HRS	76 PCS		0/1
5	Low Temperature Storage	TEMP:-40°C	1000 HRS	76 PCS		0/1
6	DC Operating Life	TEMP:25°C IF=20mA	1000 HRS	76 PCS		0/1
7	High Temperature / High Humidity	85°C/85%RH	1000 HRS	76 PCS		0/1

Note: I_{vt} : To test I_v value of the chip before the reliability test.

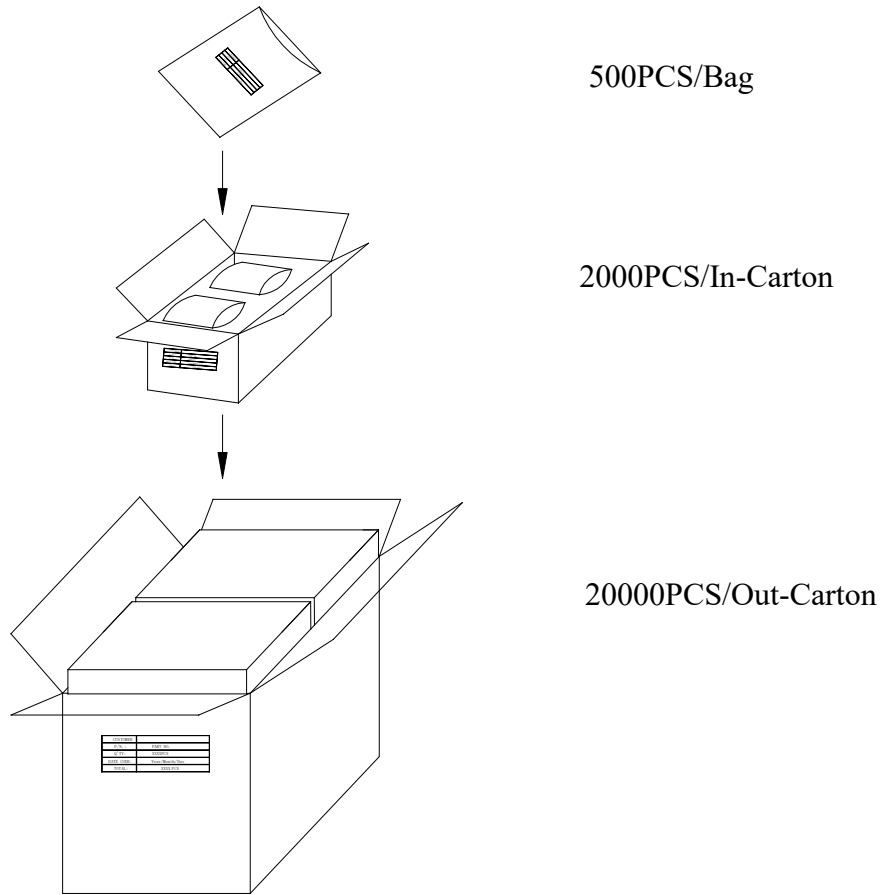
I_v : The test value of the chip that has completed the reliability test

U: Upper Specification Limit

L: Lower Specification Limit

Official Product	HV-RGB3309M-R2	Customer Part No.	Data Sheet No.
	*****	*****	CDAE-010-715
Specifications are subject to change without notice. Data and drawings herein are copyrighted.		Oct.20 2020	Version of 1.1
			Page 8/10

Packing Specification:



Official Product	HV-RGB3309M-R2	Customer Part No.	Data Sheet No.
	*****	*****	CDAE-010-715
Specifications are subject to change without notice. Data and drawings herein are copyrighted.		Oct.20 2020	Version of 1.1
			Page 9/10

Revision History

Revision	Page	Version No.	Revision Date
Initial Release		1.0	11-05-2019
Revisions on drawings and Revisions electro-optical characteristics curves	4,7	1.1	10-20-2020

Official Product	HV-RGB3309M-R2	Customer Part No.	Data Sheet No.
	*****	*****	CDAE-010-715
Specifications are subject to change without notice. Data and drawings herein are copyrighted.		Oct.20 2020	Version of 1.1
			Page 10/10