

**Harvatek International 2.9mm ROUND LED LAMP WITH Holder  
HV-I7YG55L-MP9A**

Official Product	HV-I7YG55L-MP9A	Customer Part No.	Data Sheet No.
	*****	*****	HV-I7YG55L-MP9A
Specifications are subject to change without notice. Data and drawings herein are copyrighted.	July 03 2014	Version of 1.0	Page 1/9

## DISCLAIMER

HARVATEK reserves the right to make changes without further notice to any products herein to improve reliability, function or design. HARVATEK does not assume any liability arising out of the application or use of any product or circuit described herein; neither does it convey any license under its patent rights, nor the rights of others.

## LIFE SUPPORT POLICY

HARVATEK's products are not authorized for use as critical components in life support devices or systems without the express written approval of the President of HARVATEK or HARVATEK INTERNATIONAL. As used herein:

1. Life support devices or systems are devices or systems which, (a) are intended for surgical implant into the body, or (b) support or sustain life, and (c) whose failure to perform when properly used in accordance with instructions for use provided in the labeling, can be reasonably expected to result in a significant injury of the user.
2. A critical component in any component of a life support device or system whose failure to perform can be reasonably expected to cause the failure of the life support device or system, or to affect its safety or effectiveness.

Official Product	HV-I7YG55L-MP9A	Customer Part No.	Data Sheet No.
	*****	*****	HV-I7YG55L-MP9A
Specifications are subject to change without notice. Data and drawings herein are copyrighted.	July 03 2014	Version of 1.0	Page 2/9

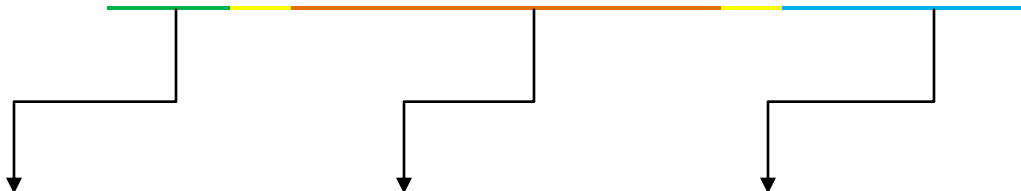
## Compliance and Certification

ISO9002, QS9000 and ISO14001 Certified  
 RoHS Compliant



## Orderable Information

**H V - I 7 Y G 5 5 L - M P 9 A**

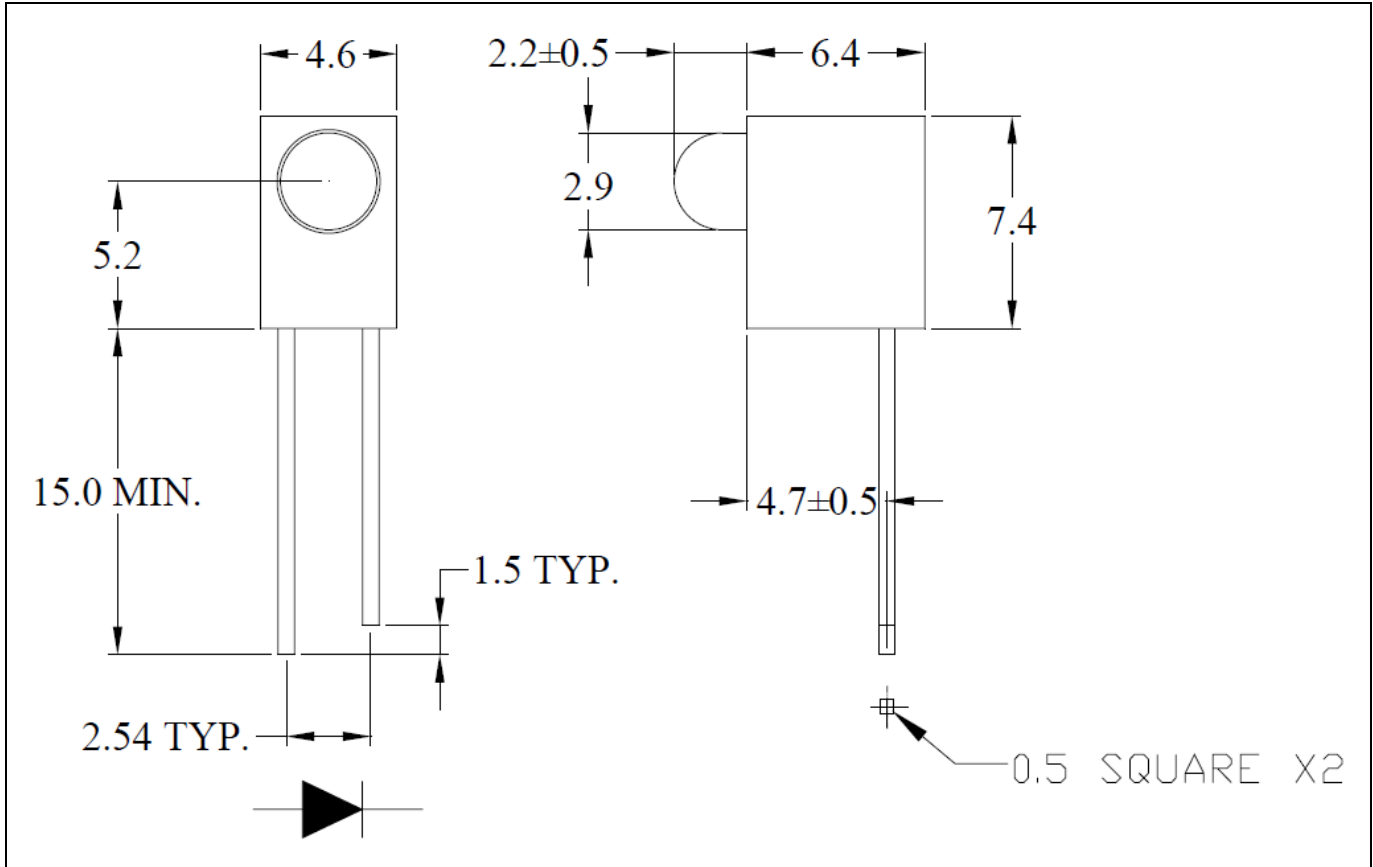


Series Name	Color Code	remark
HV= Harvatek Round LED LAMP With Holder	I7YG = 2.9mm Round Lamp,2.2mm Lens. GaP/GaP 567nm Green chip. 55 = Viewing angle 55 deg. L = HARVATEK part no.  MP9A= 1 LED WITH HOLDER	

Official Product	HV-I7YG55L-MP9A	Customer Part No.	Data Sheet No.
	*****	*****	HV-I7YG55L-MP9A
Specifications are subject to change without notice. Data and drawings herein are copyrighted.		July 03 2014	Version of 1.0
			Page 3/9

## Features:

- Stable Color
- Popular 2.9mm through hole package, 2.2mm lens height.
- Green Diffused lens



### Notes:

1. All dimensions are in millimeters.
2. Tolerance is  $\pm 0.25$ mm unless otherwise noted.
3. The color of holder: Black.
4. The material of holder: N66.

Official Product	HV-I7YG55L-MP9A	Customer Part No.	Data Sheet No.
	*****	*****	HV-I7YG55L-MP9A
Specifications are subject to change without notice. Data and drawings herein are copyrighted.		July 03 2014	Version of 1.0
			Page 4/9

## Absolute Maximum Ratings at Ta=25°C

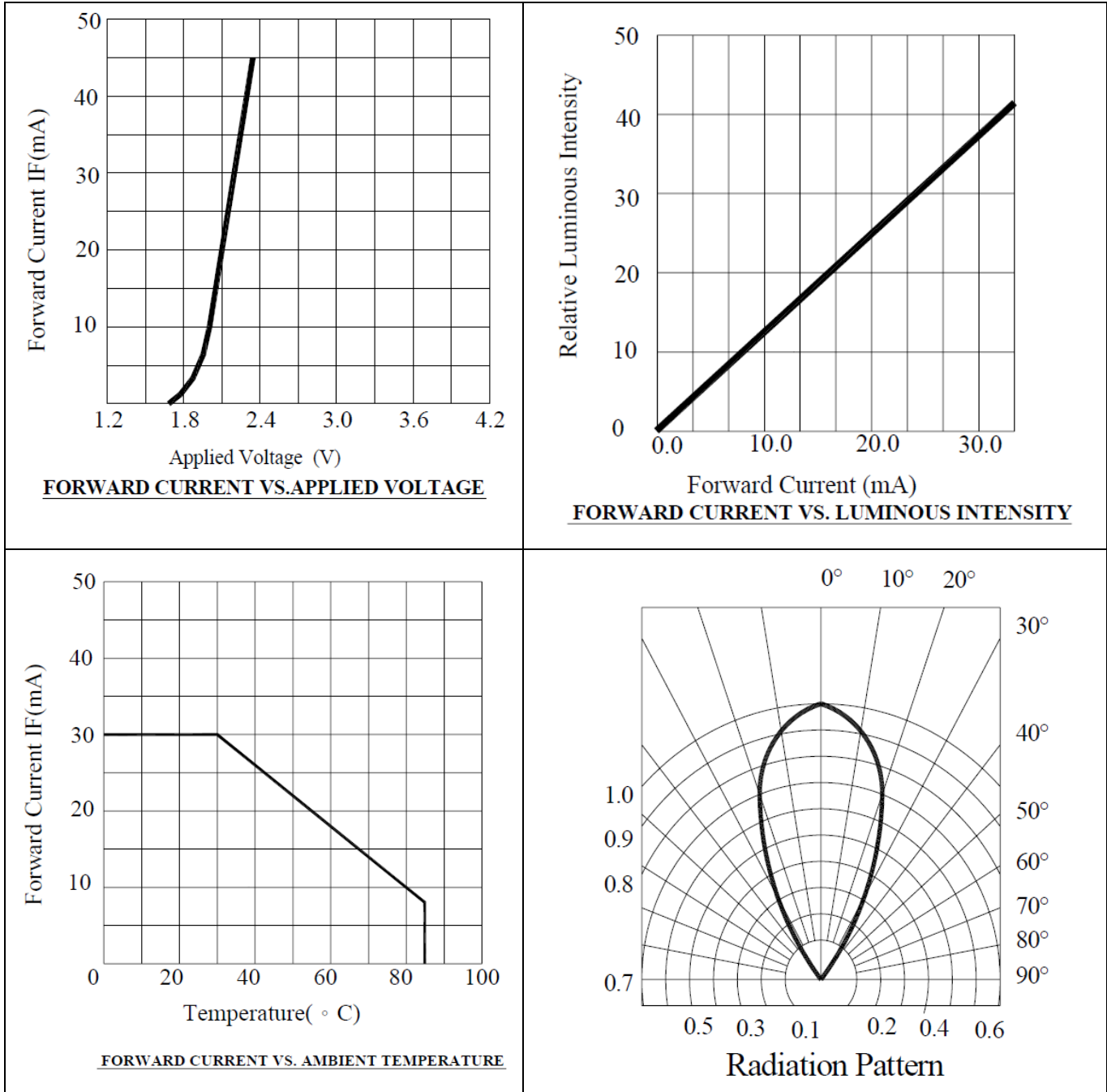
Parameter	Symbol	Rating	Unit
Power Dissipation	P <sub>D</sub>	78	mW
Reverse Voltage	V <sub>R</sub>	5	V
D.C. Forward Current	I <sub>f</sub>	30	mA
Peak Current(1/10Duty duty,0.1ms Pulse Width.)	I <sub>f</sub> (Peak)	100	mA
Operating Temperature Range	Topr.	-25 to +85	°C
Storage Temperature Range	Tstg.	-40 to +100	°C
Soldering Temperature(1.6mm from body)	Tsol	Dip Soldering: 260°C for 5sec. Hand Soldering: 350°C for 3 sec.	

## Electrical and Optical Characteristic

Parameter	Symbol	Condition	Min.	Typ.	Max.	Unit
Luminous Intensity	I <sub>v</sub>	I <sub>f</sub> =20mA	11.0	25.0		mcd
Forward Voltage	V <sub>f</sub>	I <sub>f</sub> =20mA		2.1	2.6	V
Peak Wavelength	λ <sub>p</sub>	I <sub>f</sub> =20mA		567		nm
Dominant Wavelength	λ <sub>d</sub>	I <sub>f</sub> =20mA		572		nm
Reverse Current	I <sub>r</sub>	V <sub>r</sub> =5V			100	μA
Viewing Angle	2θ 1/2	I <sub>f</sub> =20mA		55		deg
Spectrum Line Halfwidth	Δλ	I <sub>f</sub> =20mA		30		nm

Official Product	HV-I7YG55L-MP9A	Customer Part No.	Data Sheet No.
	*****	*****	HV-I7YG55L-MP9A
Specifications are subject to change without notice. Data and drawings herein are copyrighted.		July 03 2014	Version of 1.0
		Page 5/9	

## Typical Electrical/Optical Characteristic Curves



Official Product	HV-I7YG55L-MP9A	Customer Part No.	Data Sheet No.
	*****	*****	HV-I7YG55L-MP9A
Specifications are subject to change without notice. Data and drawings herein are copyrighted.	July 03 2014	Version of 1.0	Page 6/9

## Precautions in Use:

### Storage

Recommend storage environment

Temperature : 5°C ~ 30°C

### Soldering

#### Reflow Soldering

Recommend use of upper and lower heater type reflow furnace.

300°C Max for up to 5 seconds.

Pre-heat is 150°C Max for up to 2 minutes Max.

In case of screen-printing, keep metal mask thickness between 0.2mm and 0.3mm.

#### Manual Iron Soldering (NOT RECOMMENDED)

Use SN60 solder of solder with silver content.

Use 25W soldering iron at 300°C Max for 5 seconds or less.

Must not touch top resin portion of lamp by heated soldering iron.

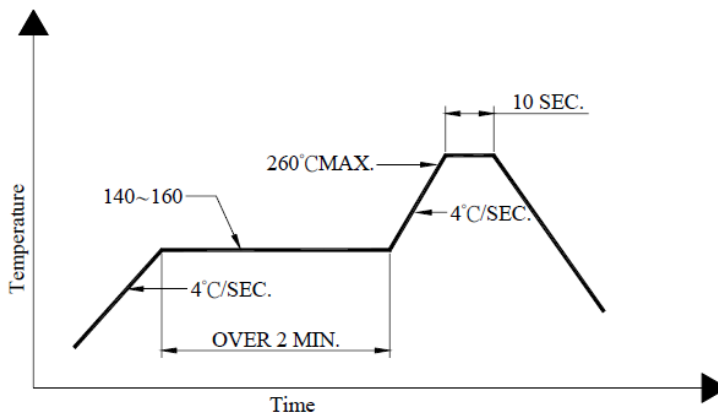
### Cleaning

Surface condition of this device may change when organic solvents such as trichloroethylene or acetone were applied.

Avoid using organic solvent.

Recommend ultrasonic method 300W Max.

### Reflow Temp/Time:



Official Product	HV-I7YG55L-MP9A	Customer Part No.	Data Sheet No.
	*****	*****	HV-I7YG55L-MP9A
Specifications are subject to change without notice. Data and drawings herein are copyrighted.	July 03 2014	Version of 1.0	Page 7/9

## ENCASED TYPE

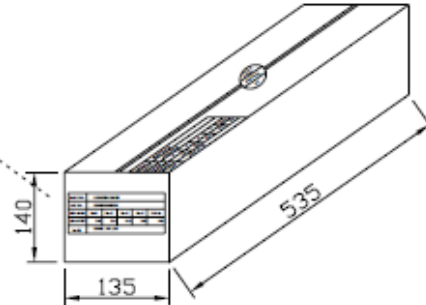
PLASTIC PACKAGE  
 QUANTITY: 500 PCS

HARVATEK CORP.					
PART NO : XXXX-XX					
QTY : PCS					
LOT NO :XXXXXXXX					
DATE :					
BIN CODE:					



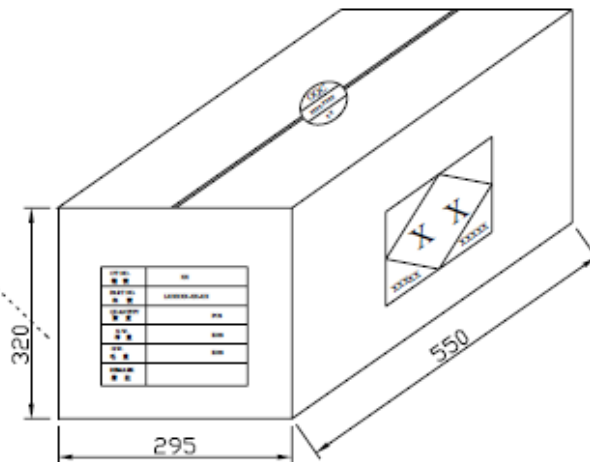
INNER BOX  
 QUANTITY: 16 PACKETS  
 TOTAL: 8,000 PCS

PART NO.	XXXXXX-XX-XX				
LOT NO.	XXXXXXXXXX				
BIN CODE	XxX	XxX	XxX	XxX	TOTAL
QUANTITY	PCS	PCS	PCS	PCS	PCS
DATE	XXXX, XX, XX				



OUTER CARTON  
 QUANTITY: 4 BOX  
 TOTAL: 32,000 PCS

C/T NO. 箱號	XX
PART NO. 料號	XXXXXX-XX-XX
QUANTITY 數量	PCS
N.W. 淨重	KGS
G.W. 毛重	KGS
REMARK 備註	



Official Product	HV-I7YG55L-MP9A	Customer Part No.	Data Sheet No.
	*****	*****	HV-I7YG55L-MP9A
Specifications are subject to change without notice. Data and drawings herein are copyrighted.	July 03 2014	Version of 1.0	Page 8/9



**Revision History**

Revision	Page	Version No.	Revision Date
Initial Release		1.0	07-03-2014

Official Product	HV-I7YG55L-MP9A	Customer Part No.	Data Sheet No.
	*****	*****	HV-I7YG55L-MP9A
Specifications are subject to change without notice. Data and drawings herein are copyrighted.		July 03 2014	Version of 1.0
			Page 9/9